

EXPLOSION PROOF CAMERA DATA

(UNV 2MP 20X)



Main features:

- CNEx/ATEX certificated
- Stainless steel 304/316L
- Surface finish: electropolished or corrosion resistant paint finish
- IP68
- 1 cable gland
- 1/2.8" Progressive Scan CMOS
- 1920(H)*1080(V)@60fps
- H.265,H.265+
- Applicable for the extreme circumstances with explosive gas or dust, like petro-chemical, offshore, marine, oil tank, gas station, onshore sites.
- Optional accessories: sun shield, lens decoder, auto-heating, auto-cooling modular.

Camera Specification

Camera

Description

Sensor	1/2.8 inch megapixel, progressive scan CMOS
Focal Length/Zoom	5.2~104mm, 20X optical zoom
Zoom/Focus	Motorized zoom, automatic focus
Lens	Auto/manual, F1.5~F3.0
Shutter	Auto/manual, 1/6~1/100000s
WDR	120dB
Min. Illumination	0.002lux(F1.5, AGC ON, Color) 0.0002lux(F1.5, AGC ON, Black/white:)
Day/Night	IR-cut filter with auto switch (ICR)

Video

Description

Video Compression	H.265、H.264、MJPEG
Frame Rate	1080P (1920*1080) Max 30 fps
Video Streaming	Triple
OSD	Time OSD, Customized OSD
Privacy Mask	Supported

Storage

Description

Edge Storage	Micro SD, up to 128GB
--------------	-----------------------

Smart

Description

Behavior Detection	Intrusion, cross line, motion detection, Auto tracking
Exception Detection	Audio exception detection
Recognition	Face detection
Statistical Analysis	People counting

Network

Description

Protocols	L2TP, IPv4, IGMP, ICMP, ARP, TCP, UDP, DHCP, PPPoE, RTP, RTSP, RTCP, DNS, DDNS, NTP, FTP, UPnP, HTTP, HTTPS, SMTP 802.1x
Compatible Integration	ONVIF、API

Interface

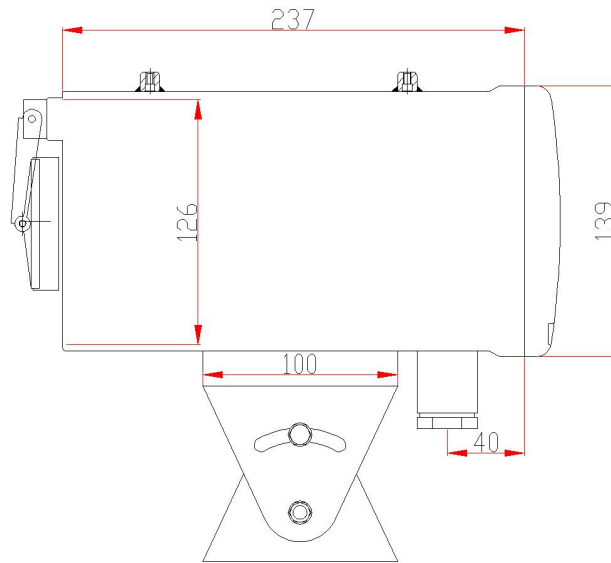
Description

Interfaces	36-pin FFC, including network interface, power, serial interface and video output interface
Audio I/O	1/ 1
Alarm I/O	1/ 1

General Specification

Model	FNKZ-IC.Y
Explosion levels	Ex d IIC T6 Gb/Ex tD A21 IP68 T80°C IP68
Waterproof	IP68
Voltage	DC12V±10%
Current	≤2A
Power Consumption	≤8W
Installation	Outdoor
Operation Temperature	-20°C ~ +60°C
Operation Humidity	≤90%RH
Dimension	237mm(L)×179mm(W)×139mm(H)
Day& Night:	IR cut filter with auto switch
Weight	8kg
Window	Two-sized coating tempered glass
Packing	Carton box with EPE inside

Dimension



Pack



Accessories



EX-Proof box



flexible pipe