

EXPLOSION PROOF CAMERA DATA

(XM 4MP)



Main features:

- CNEx/ATEX certificated
- Stainless steel 304/316L
- Surface finish: electropolished or corrosion resistant paint finish
- IP68
- 1 cable gland
- 1/2.8" Progressive Scan CMOS
- 2560(H)*1440(V)@15fps
- H.265,H.265+
- Applicable for the extreme circumstances with explosive gas or dust, like petro-chemical, offshore, marine, oil tank, gas station, onshore sites.
- Optional accessories: auto-heating, auto-cooling modular.

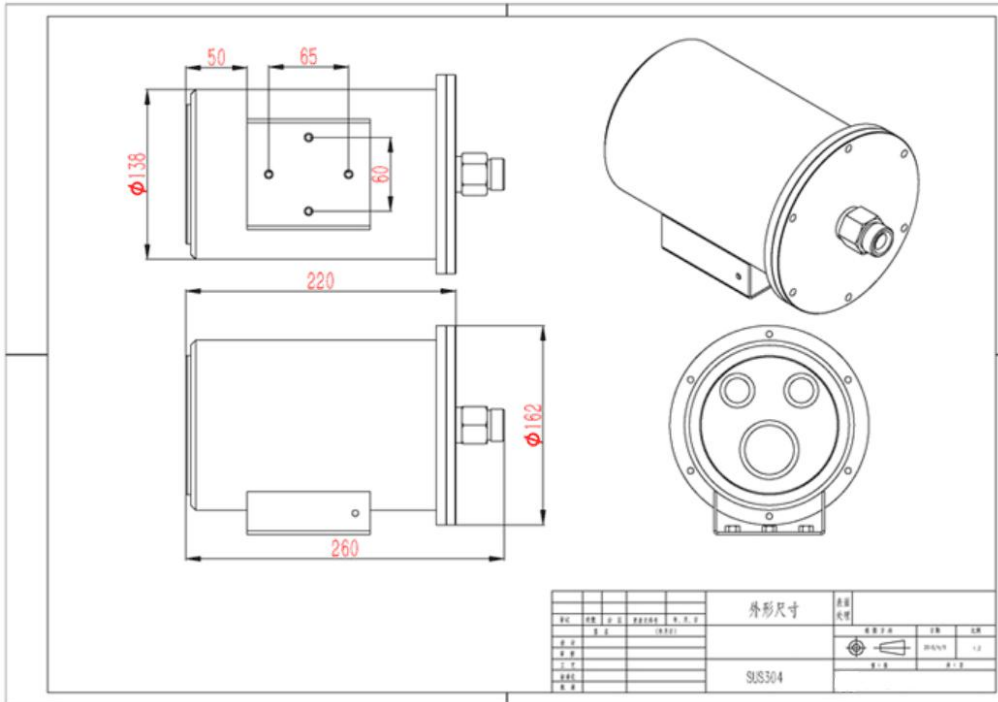
Camera Specification

System structure	Embedded RTOS,dual-core 32bit DSP(XM530AI),pure hard compression ,watch dog
Sensor	1/2.7" SC5239 CMOS sensor ,color 0.1Lux@F1.2,black/white 0.01Lux@F1.2
Video compression	H.265AI/H.265+ (Compatible with H.265/H.264),support dual stream,AVI;0.1M~10Mbps variable;1~30f/s variable
Image output	Main stream: 2560*1440@15fps (Only H.265X encoding is supported); 2048*1440@25fps; sub-stream: 704*576@25fps;
Shutter	1/50(1/60)s to 1/10,000s
Lens	No
Day and night	Support IR-CUT
Noise reduction	Support 2D/3D
Wide dynamic	Support digital
Auto iris	N/A
Audio compression	G.711,support bidirectional talk,audio&video synchronization
Audio interface	1ch input,level:2Vp-p,impedance:1kΩ,support sound pick-up input;1ch output,impedance:16Ω,30mw,support microphone
Network interface	1*RJ45 10/100M adaptive Ethernet port;support RTSP/FTP/DHCP/NTP/UPnP etc
Extension interface	Extensions: USB WIFI
Singal interface	One photo resistance interface,one IR-CUT interface ,support photo resistance signal and IR-CUT links to IR
PTZ	N/A
Motor interface	N/A
Alarm I/O	1/0 (support alarm input and video link to background)
WIFI interface	N/A
Reset interface	N/A
SD Card	N/A
Reliability	Comprehensive lightning protection, 7 * 24 hours-10°C~65°C high temperature stable and reliable testing
Intelligence analysis	Supporting human detection and tripping line detection, and supports intelligent functions such as customized face detection, number statistics, etc.
Other function	Support WEB,OSD,live video transmission,motion detect and IO alarm,front-end storage/playback/download, and center reminder and image linkage,support JPEG capture; united remote client monitoring software、MYEYE;perfect SDK
ONVIF	Support
Mobile monitoring	Support multiple mobile monitoring (iOS, Android)
Power	DC12V/2A input, power consumption:≤3W,

General Specification

Model	FNKZ-IC.MYD
Explosion levels	Ex d IIC T6 Gb/Ex tD A21 IP68 T80°C IP68
Waterproof	IP68
Input Voltage	220VAC±10%
Voltage	DC12V/AC220V/PoE(802.3af)(Class 0)
Current	≤1A
Power Consumption	≤8W
Installation	Outdoor
Operation Temperature	-20°C ~ +60°C
Operation Humidity	≤90%RH
Dimension	260mm(L)×162mm(W)×162mm(H)
Day& Night:	IR cut filter with auto switch
Weight	5kg
Window	Two-sized coating tempered glass
Packing	Carton box with EPE inside

Dimension



Pack



Accessories



EX-Proof box



flexible pipe